

LED Reflective Wall Light

LED Reflective Wall Light

LED Reflective Wall Light utilizes the latest in LED technology to provide a highly effective and attractive recessed wall light for both indoor and outdoor use. It's sleek design, low cost and low power consumption (just 2.5 watts) make LED Reflective Wall Light a natural choice.

Why Choose LED Reflective Wall Lighting?

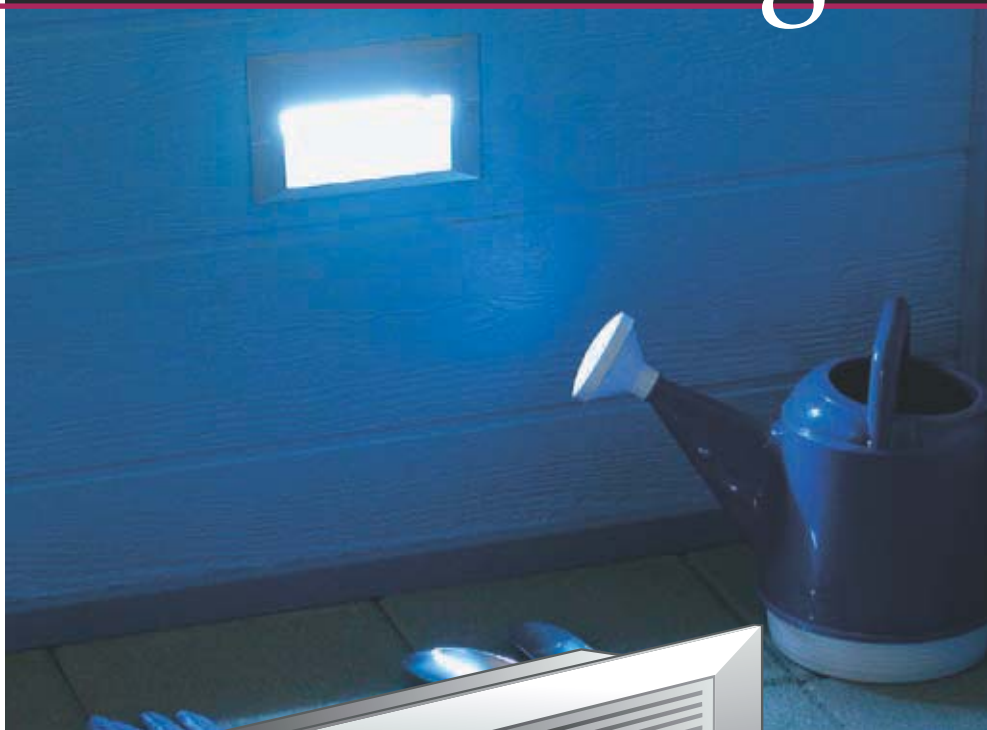
- ☞ Low power consumption – just 2.5 watts per unit
- ☞ 120 VAC power input and output with quick connects
- ☞ Long life of 60,000 hours
- ☞ cUL listed for wet and IC locations
- ☞ 2 cover colours white and brushed aluminum
- ☞ 4 LED colours White, Blue*, Green* and Amber*
- ☞ Die cast aluminum can and cover
- ☞ Fits any housing cutout of 6.5" L X 4.5" H X 3" D (165mm L x 114mm H x 76mm D)

*white is stock, check availability of coloured LEDs



MAGIC LITE LTD.

2526 Speers Road, Unit 4-9
 Oakville, Ontario, Canada L6L 5M2
 Tel: 905-825-9592 • Fax: 905-825-8334
www.magiclite.com



Die cast aluminum trim and housing

Separate knock outs for incoming and outgoing 120V wiring

2.2mm frosted, tempered glass lens over LEDs

White or brushed aluminum finish available

Only 2 3/4" (7cm) deep

Two Finishes

Available in white and brushed aluminum finishes



Applications

- Interior steps
- Exterior steps
- Hall lighting
- Aisles
- Stairs
- Path lighting
- Patio lighting
- Entry lighting
- Post lighting



11/06

LED Reflective Wall Light

Ultra bright LEDs and high quality circuitry give this sleek light source incomparable advantages over traditional light sources.

Available in four LED colours



White LED

LEDRL-WH-AL Brushed Aluminum finish
LEDRL-WH-WH White finish



Pure Green* LED

LEDRL-GR-AL Brushed Aluminum finish
LEDRL-GR-WH White finish



Blue* LED

LEDRL-BL-AL Brushed Aluminum finish
LEDRL-BL-WH White finish



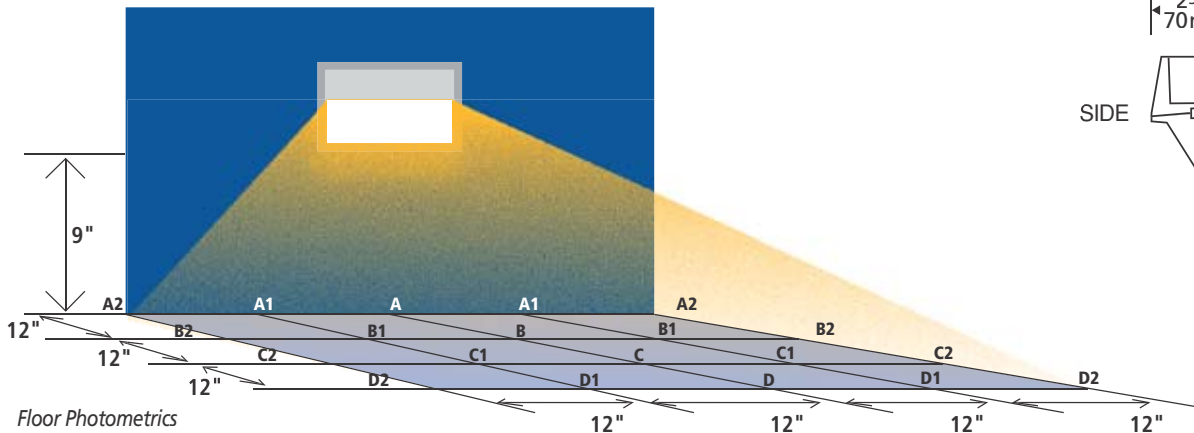
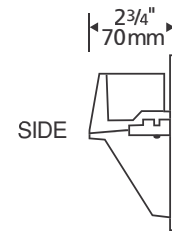
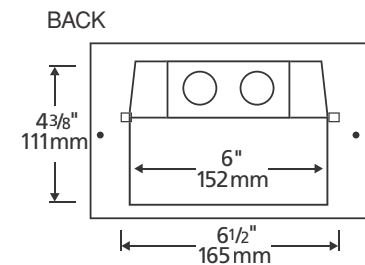
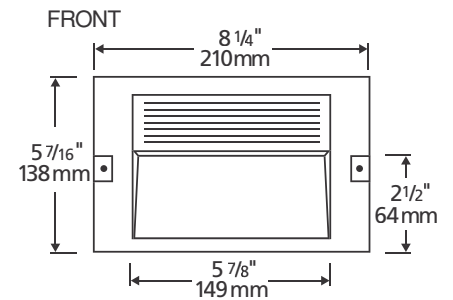
Amber* LED

LEDRL-AM-AL Brushed Aluminum finish
LEDRL-AM-WH White finish

Specifications

- Voltage 120VAC
- Power Consumption 20mA, 2.5W per single unit
- Average LED Life 60,000 Hours
- LED Colours White, Blue*, Pure Green*, Amber*
- Cover Finish White, Brushed Aluminum
- Can Finish White
- Construction Both cover and can are die cast aluminum for corrosion protection, strength, weight, and consistency of finish.
- Lens Frosted Tempered Glass, 2.2mm thick
- Wiring Options 120VAC can be parallel wired ("daisy chained") up to 250 fixtures per tap. Check local code and CEC for wiring selection.
- Size 8 1/4" W x 5 7/16" H x 2 1/2" D
(210mm W x 138mm H x 64mm D)
- Agency Approval cUL listed and labeled for wet and IC locations.
Wall mount only.

*white is stock, check availability of coloured LEDs



Floor Photometrics
LED Reflective Light (9" above floor)

GRID LOCATION:	A	A1	A2	B	B1	B2	C	C1	C2	D	D1	D2
ILLUMINANCE IN FOOTCANDLES:	0	0	0	4.7	1.4	0.2	1.1	0.7	0.2	0.4	0.3	0.1