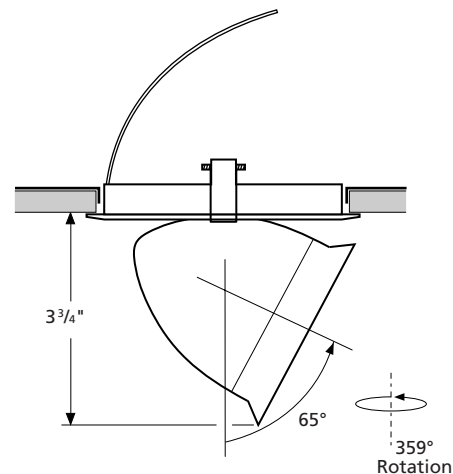
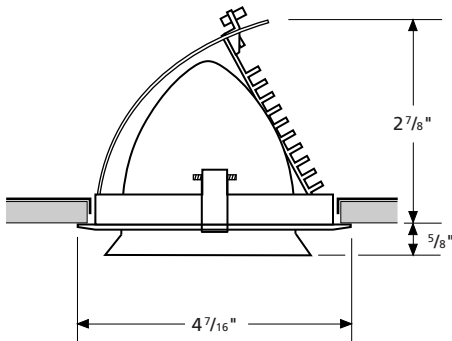




A stylish, precision directional, recessed projector using a 50W 12V maximum halogen dichroic lamp.

MONDIAL 50®



TRIM

- Diecast aluminum construction
- Heat dissipating fins for efficient operation
- Friction-slip flexible stem for positive 65° vertical adjustment
- Easily removable front bezel for quick relamping
- Positive retention with spring loaded clips
- Easy-to-add accessories
- Available in five finishes

LENS

- Borosilicate safety glass

HOUSING

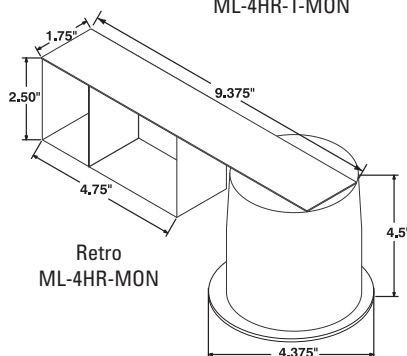
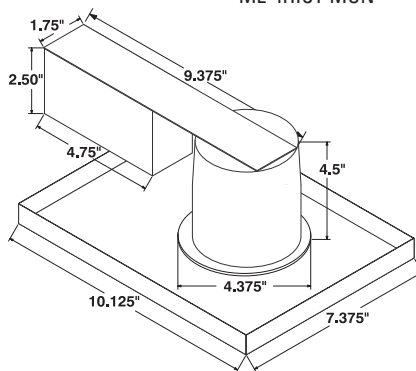
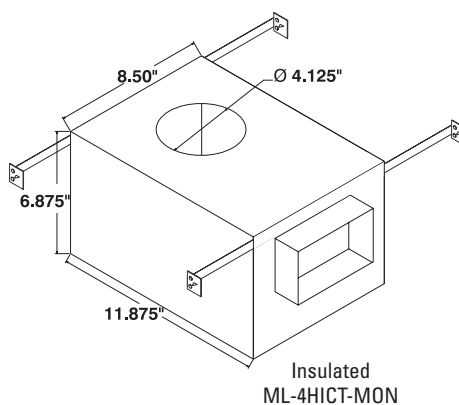
- Three styles available:
 - Retro
 - T-bar
 - Insulated

TRANSFORMER

- Supplied with 120V primary, 12V secondary integral magnetic transformer
- Optional electronic transformer available

ACCESSORIES

- Framing projector with adjustable optics
- Anti-glare louver
- Decorative colored dichroic filters



TRIM	CAT. #	FINISH
Mondial 50	44100	Chrome
	44103	Gold
	44104	White
	44105	Black
	44109	Aluminum

ACCESSORIES	CAT. #	FINISH
Framing Projector	44185	Black
	44189	Aluminum
Framing Projector Dichroic Filters	49891	Red
	49892	Green
	49896	Blue
	49897	Yellow
Anti-glare Louver	44190	Black
Filter Holder Stem	44192	Chrome
Dichroic Filters (Can be installed directly into Mondial 50 or on Filter Holder Stem)	49880	UV Filter
	49881	Red
	49882	Green
	49886	Blue
	49887	Yellow



Magic Lite Ltd.

2526 Speers Road, Units 4-9, Oakville, Ontario, Canada L6L 5K8
 Tel: 905-825-9592 • Out of Area: 1-888-945-5483 • Fax: 905-825-8334

Magic Lite Ltd.



A stylish, precision directional, recessed projector using a 150W maximum 120V linear halogen lamp or a 100W maximum Halospot AR111 12V lamp.

MONDIAL HALOGEN®



PROJECT: _____
TYPE: _____

NOTES: _____

TRIM

- Diecast aluminum construction
- Heat dissipating fins for efficient operation
- Friction-slip flexible stem for positive 65° vertical adjustment
- Easily removable front trim for quick relamping
- Positive retention with spring loaded clips
- Easy-to-add accessories
- Available in four finishes

LENS

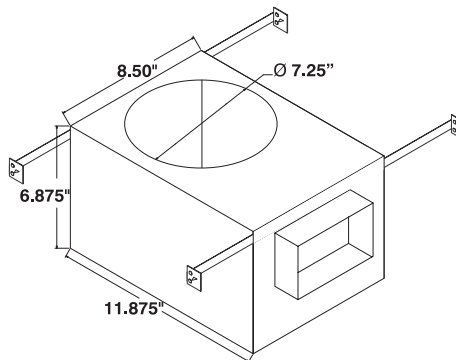
- Borosilicate safety glass

HOUSING

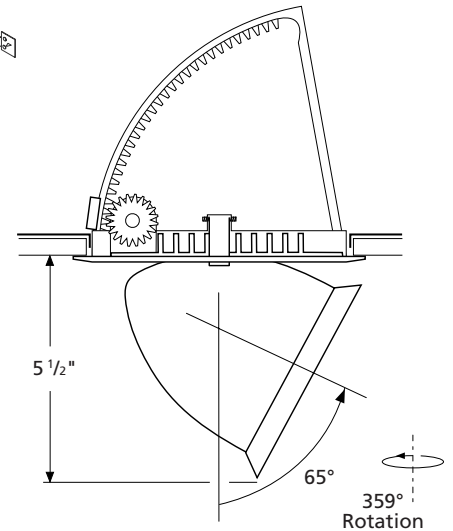
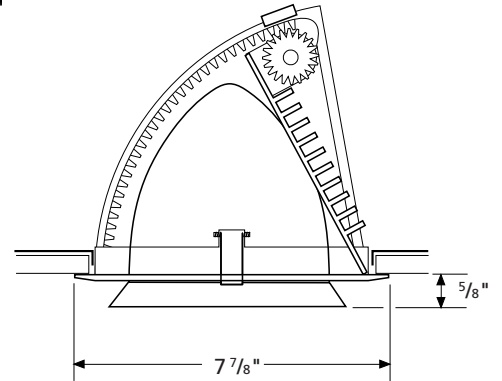
- Low voltage housing supplied with 120V primary, 12V secondary integral magnetic transformer
- Optional electronic transformer available
- Easy transformer removal and replacement from below

ACCESSORIES

- UV filter
- Anti-glare louver
- Chromatic filters (Ø106mm) in red, green, blue, yellow and magenta



ML-7.5 120V



TRIM	CAT. #	FINISH
Mondial	44030	Chrome
	44034	White
	44035	Black
	44039	Aluminum
Mondial Magnetic	44020	Chrome
	44024	White
	44025	Black
	44029	Aluminum

ACCESSORIES	CAT. #	FINISH
UV Filter	44180	
Anti-glare Louver	44191	
Glass Holder Stem	44193	
Chromatic Filters	49950	Red
	49951	Green
	49952	Blue
	49953	Yellow
	49954	Magenta



Magic Lite Ltd.

2526 Speers Road, Units 4-9, Oakville, Ontario, Canada L6L 5K8
Tel: 905-825-9592 • Out of Area: 1-888-945-5483 • Fax: 905-825-8334

Magic Lite Ltd.