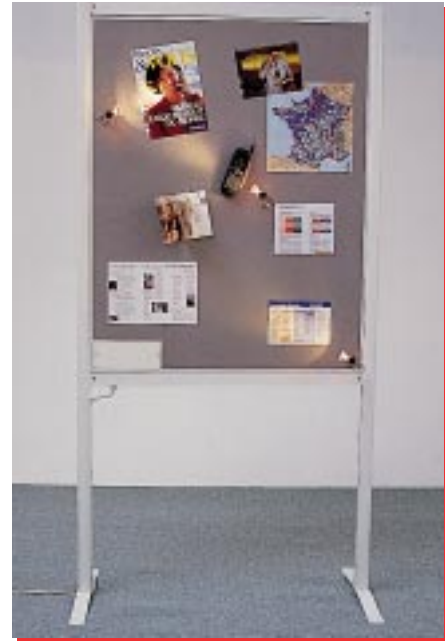




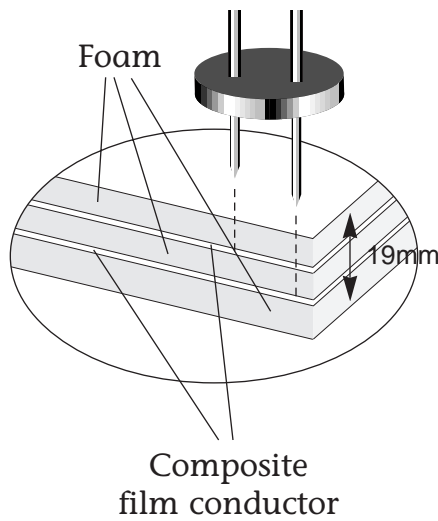
Simply Illuminating

Dipline lighted panel systems - a revolutionary new concept in lighting! Self powered, flat, flexible panels serve as an electrified wall or ceiling surface.

Imagine being able to simply place light fixtures anywhere on a flat surface and have them light up instantly! This patented display lighting panel system has unlimited applications.



- Retail Display
- Window Displays
- Trade Show Display Booths
- Interior Design
- Museums
- Office Design
- Night Clubs
- Restaurants
- Art Galleries



Cross Section of Panel



Illuminating Concept



Dipline panel systems are ideal for retail display.

SIMPLICITY

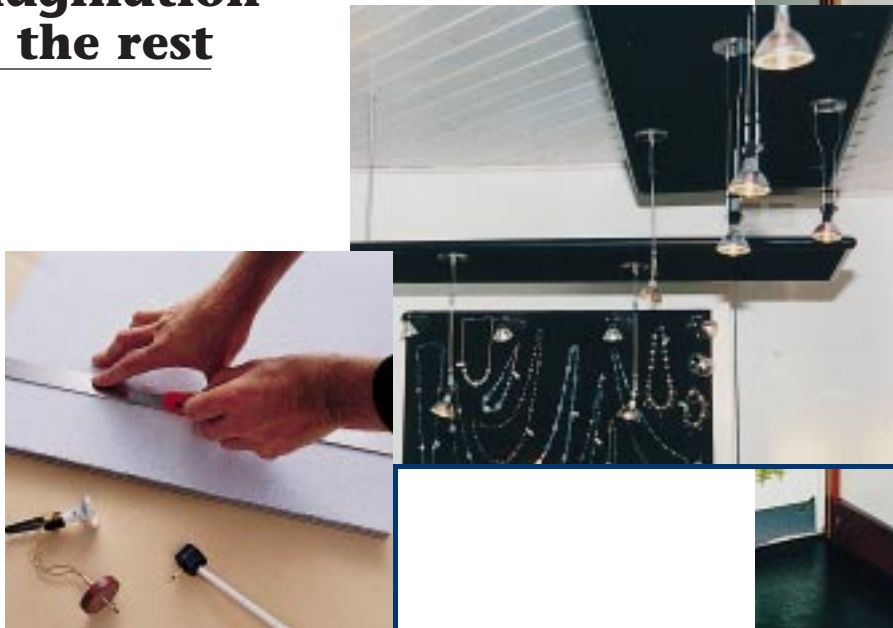
Dipline panels can be ordered pre-cut to your specifications or can be easily cut on site with a sharp knife.

Flexible to a bend radius of one meter, they are extremely easy to install and require no complex wiring.



Use Dipline panels as partitions or simply incorporate narrow strips into existing partitions. Either way, you get light where you want it!

Let your imagination do the rest



EASY

The low voltage side of the transformer connects easily to the panels with our patented connector system.

A variety of low voltage transformers are available for powering panels.

Pin as many spotlights as required to create desired lighting effect.
(maximum 240 Watts)

Not satisfied with the positioning of the spotlight? Just remove it and pin it wherever you want. The fixture will leave no visible marks on the standard finishes!

16 finishes to choose from.

Black	White
Navy	Royal Blue
Metal Grey	Ocean Blue
Green Pine	Steel Grey
Burgundy	Green
Beige Sand	Red
Yellow Honey	Rose Gloss
Cork	Orange

Dipline panels meet the fire class M1 classification.

ITS

Brilliant Illumination



VERSATILITY

From floor to ceiling
Dipline panels enable
you to create your own
lighting design.

Ideal for new installations or to
compliment an existing one.

Simple to install, totally
safe and reliable
for enhancing:

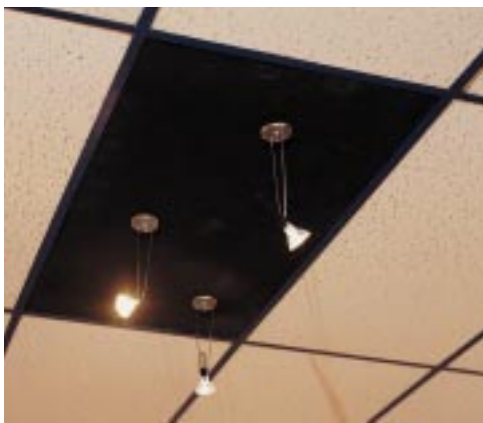
- Jewelry
- Menu Boards
- Geographic Maps
- Accessories
- Clothing
- Cosmetics
- The list goes
on and on ...



Available finished and framed, Dipline panels make an excellent portable display system for jewelry items.



Dipline was used as an integral lighting system for every booth in this trade show.



Dipline panels can easily be used as suspended ceiling panels eliminating the need for recessed or track lighting systems. The lights move where you want them!





1



2



3



4



5



6



7



8



9



10



1 - LUCIOLE : 0,25 & 0,75 watts.
Height : 7 mm - Ø : 3 mm.

2 - CIGALE : 1,2 & 2 watts.
Height : 14 mm - Ø : 10 mm.

3 - MESANGE : 20 watts,
Height : 53 mm - Ø : 65 mm.

4 - CANARI : 20 watts,
Height : 53 mm - Ø : 25 mm.

5 - KIWI : 20 watts,
Height : 40 mm - Ø : 40 mm.

6 - MANDARIN : 20 & 35 watts,
Height : 110 mm - Ø : 40 mm.

7 - HERON : 3 models
- 20/35 W - H : 110 mm - Ø : 40 mm.
- 20/35/50 W - H : 180 mm - Ø : 60 mm.
- 20/35/50 W - H : 270 mm - Ø : 60 mm.

8 - CIGOGNE : 20, 35 & 50 watts,
Height : 180mm - Ø : 60 mm.
Height : 270mm - Ø : 60 mm.

9 - CYGNE : 20, 35 & 50 watts,
Height : 390 mm - Ø : 60 mm.

10 - COL BLANC : 20, 35 & 50 watts,
Height : 500 mm - Ø : 60 mm.

Spare bulbs are available for all
types of spots, in different powers
and in some colors.

From 0,25 to 50 watts, a complete choice of 4 finishes:

■ black ■ white ■ chrome ■ gold



Distributed by

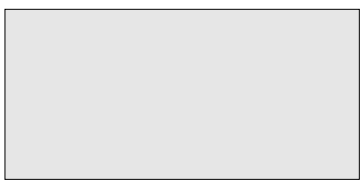
Magic Lite Ltd.

2526 Speers Road, Units 10-13, Oakville, ON Canada L6L 5K8

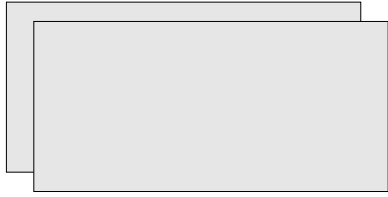
Phone (905) 825-9592 • Fax: (905) 825-8334

Email: lights@magiclite.com

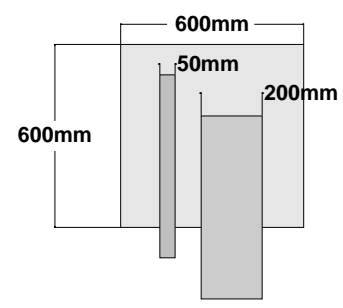
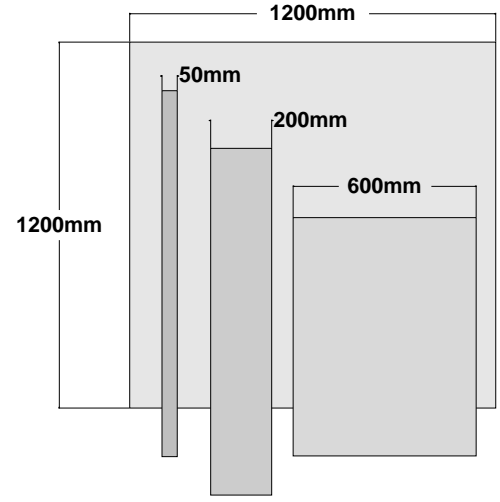
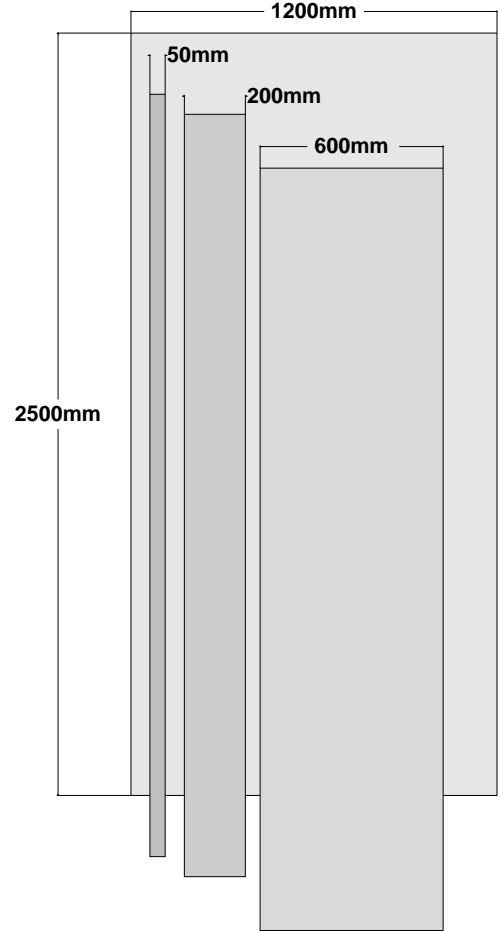
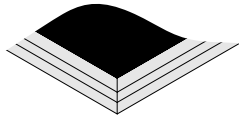
www.magiclite.com



DL10000 Bare Panels
2500x1200x19mm

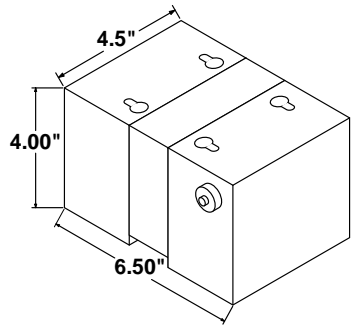


DL1100/DL1200 Semi-finished Panels
2500x1200x19mm

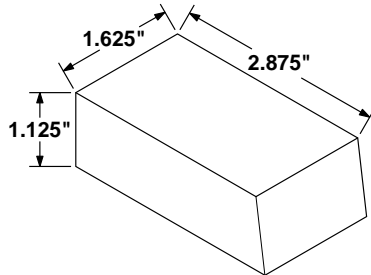


Finished Panels

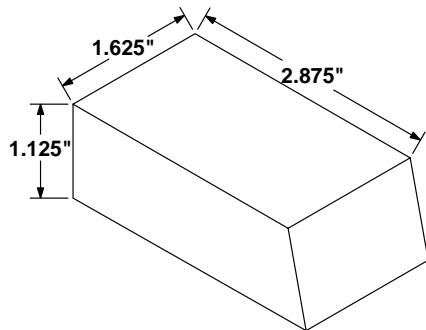
MLTR/240-12



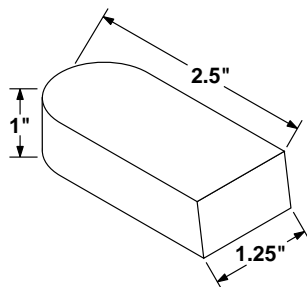
ADT-T60H

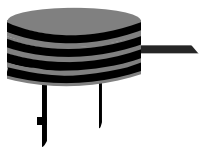


MLTR-105EL



MLTR-75EL

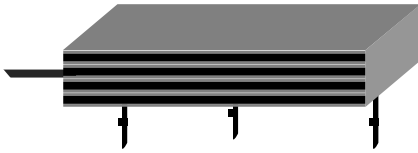




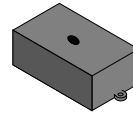
DL41012
12.5 AMP.



DL41005
5AMP.



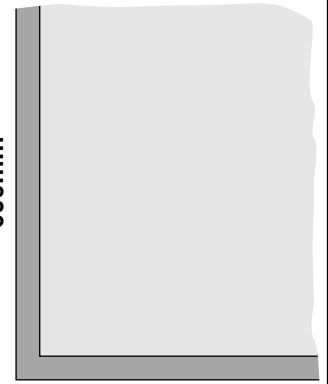
DL43025
25AMP.



DL90122
Reception Panel



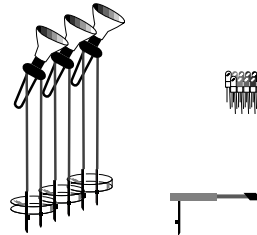
600mm



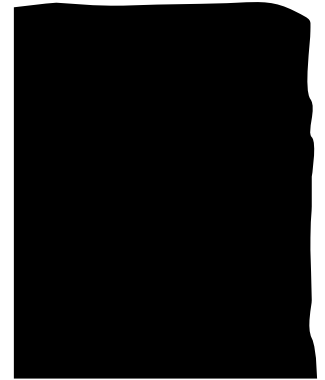
600mm



DL5100
Luciole Cap (per 10)



Dipline Floating Ceiling Panels



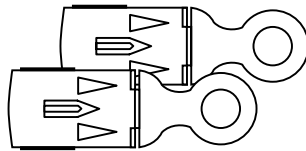
DL53000
Polarity Screw



DL54000
Locking Key for Polarity Screw



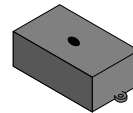
DL55000
Hook (bag of 2)



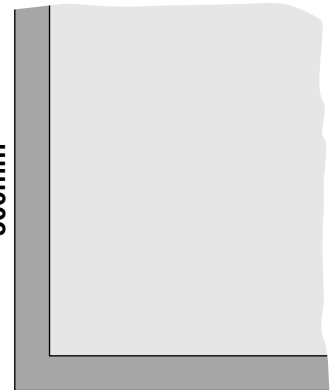
DAC-1
Allen Key



Presentation Board



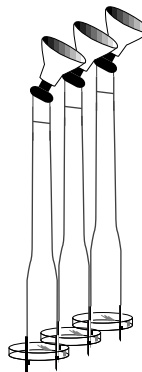
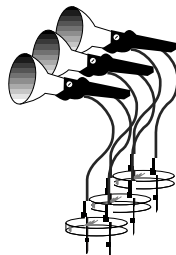
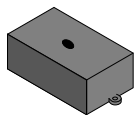
300mm



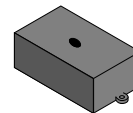
400mm



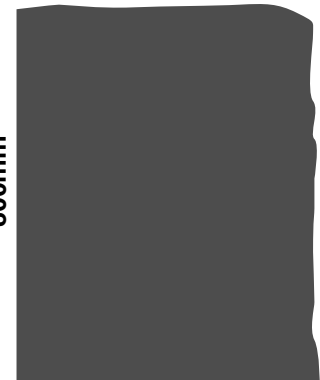
DL90122
3-Spots Strip Kit



DL90132
3-Spots Display Kit



800mm



1200mm

