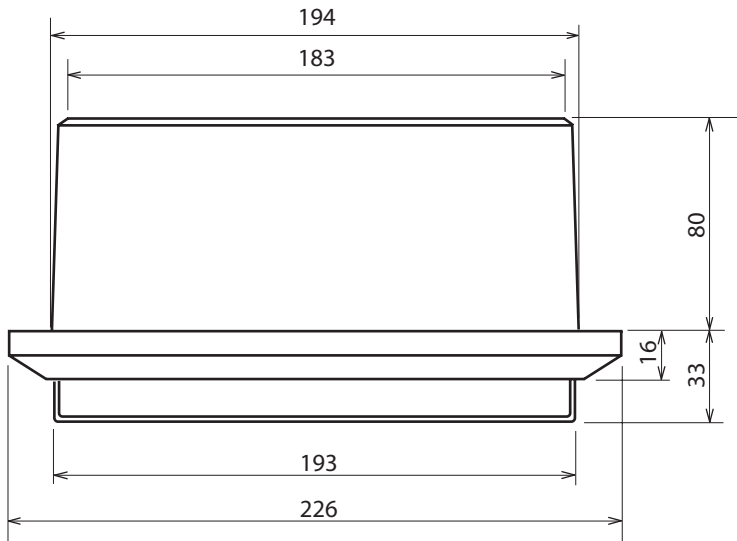
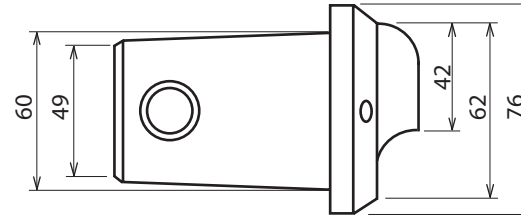
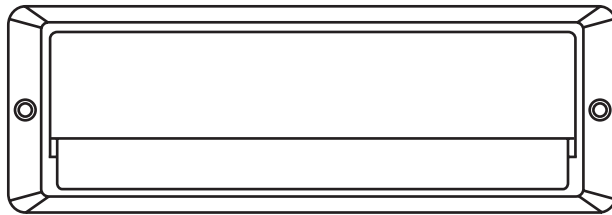


SPECIFICATIONS

Voltage: 120 V
Lamp: 12 V, 18 W, xenon
Material: Die cast aluminum
Rating: cUL listed for wet locations
Lamp Life: 10,000 hours
Finish: Bronze



Revisions:

4		
3		
2		
1		

All dimensions are in mm



Project:

Part number: XBL-S-BZ

Scale: NTS

Product: Xenon Brick Light, scoop cover, bronze

Type:

Date: