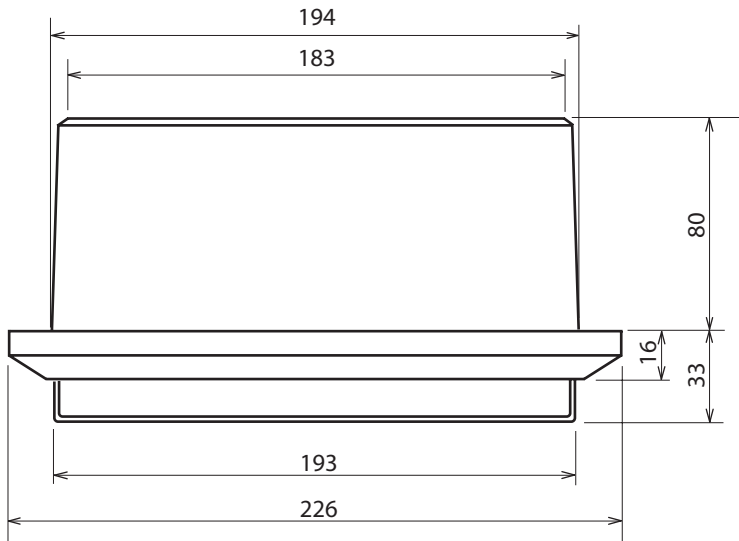
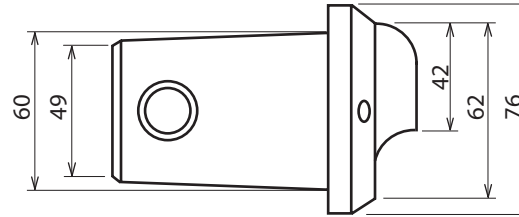
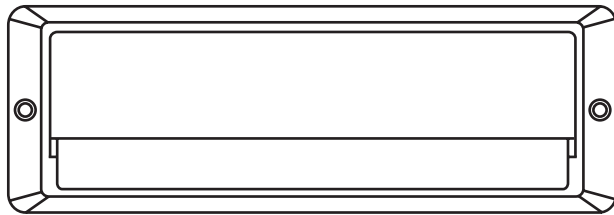


**SPECIFICATIONS**

**Voltage:** 120 V  
**Lamp:** 12 V, 18 W, xenon  
**Material:** Die cast aluminum  
**Rating:** cUL listed for wet locations  
**Lamp Life:** 10,000 hours  
**Finish:** White



Revisions:

4		
3		
2		
1		

All dimensions are in mm



Project:

Part number: XBL-S-WH

Scale: NTS

Product: Xenon Brick Light, scoop cover, white

Type:

Date: