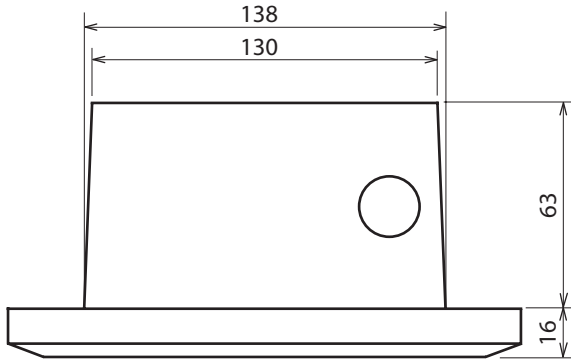
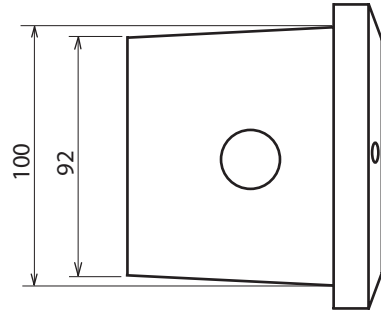
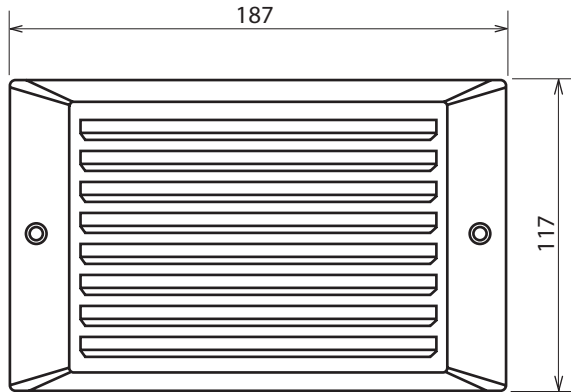


SPECIFICATIONS

Voltage: 120 V
Lamp: 12 V, 18 W, xenon
Material: Die cast aluminum
Rating: cUL listed for wet locations
Lamp Life: 10,000 hours
Finish: Black



All dimensions are in mm

Revisions:

4		
3		
2		
1		



Project:

Part number: XSL-L-BK

Scale: NTS

Product: Xenon Step Light, louvre cover, black

Type:

Date: