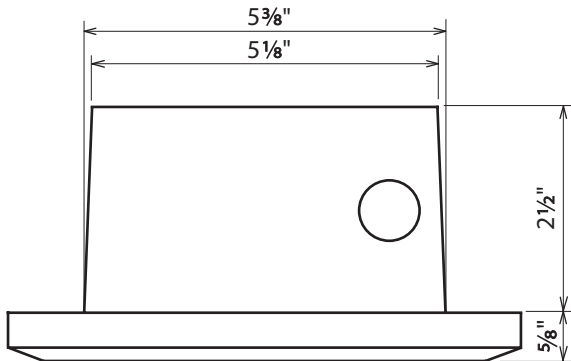
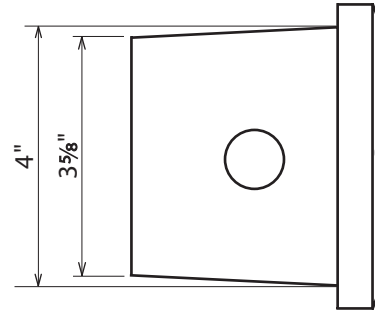
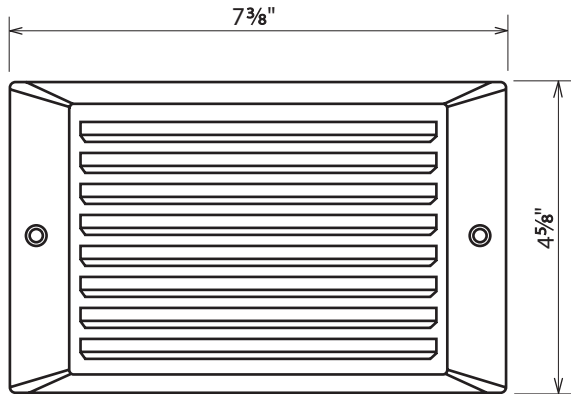


**SPECIFICATIONS**

**Voltage:** 120 V  
**Lamp:** 12 V, 18 W, xenon  
**Material:** Die cast aluminum  
**Rating:** cUL listed for wet locations  
**Lamp Life:** 10,000 hours  
**Finish:** Bronze



Revisions:

4		
3		
2		
1		



Project:

Part number: XSL-L-BZ

Scale: NTS

Product: Xenon Step Light, louvre cover, bronze

Type:

Date: