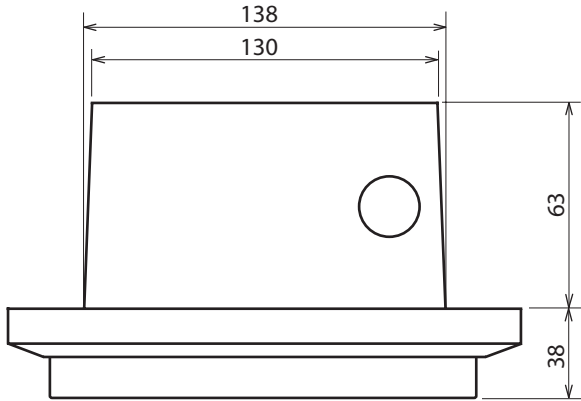
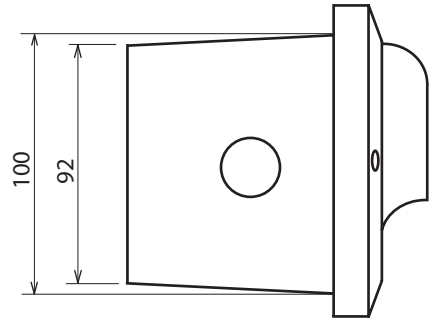
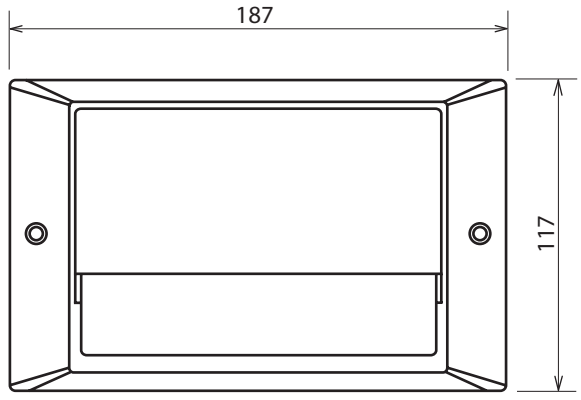


SPECIFICATIONS

- Voltage:** 120 V
- Lamp:** 12 V, 18 W, xenon
- Material:** Die cast aluminum
- Rating:** cUL listed for wet locations
- Lamp Life:** 10,000 hours
- Finish:** Aluminum



All dimensions are in mm

Revisions:

4		
3		
2		
1		



Project:	Part number: XSL-S-AL	Scale: NTS
Product: Xenon Step Light, scoop cover, aluminum	Type:	Date: