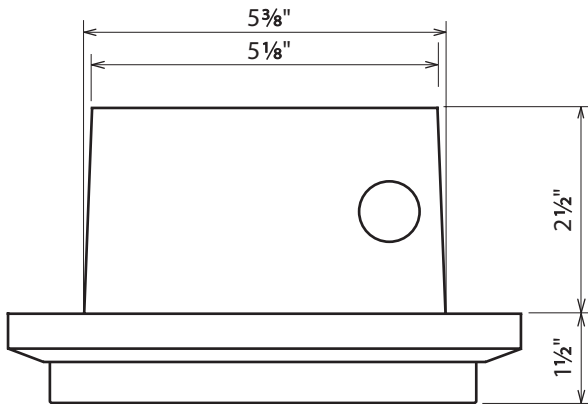
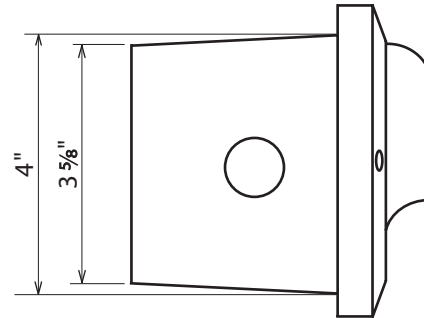
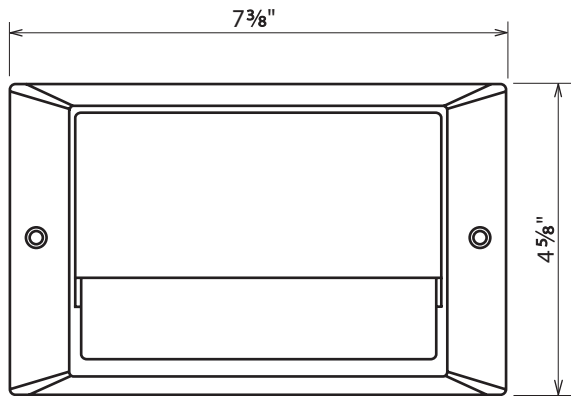


SPECIFICATIONS

Voltage: 120 V
Lamp: 12 V, 18 W, xenon
Material: Die cast aluminum
Rating: cUL listed for wet locations
Lamp Life: 10,000 hours
Finish: Bronze



Revisions:

| | | |
|---|--|--|
| 4 | | |
| 3 | | |
| 2 | | |
| 1 | | |



Project:

Part number: XSL-S-BZ

Scale: NTS

Product: Xenon Step Light, scoop cover, bronze

Type:

Date: