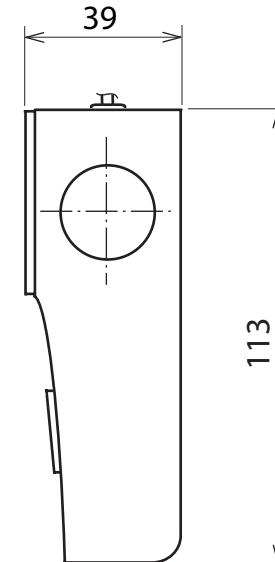
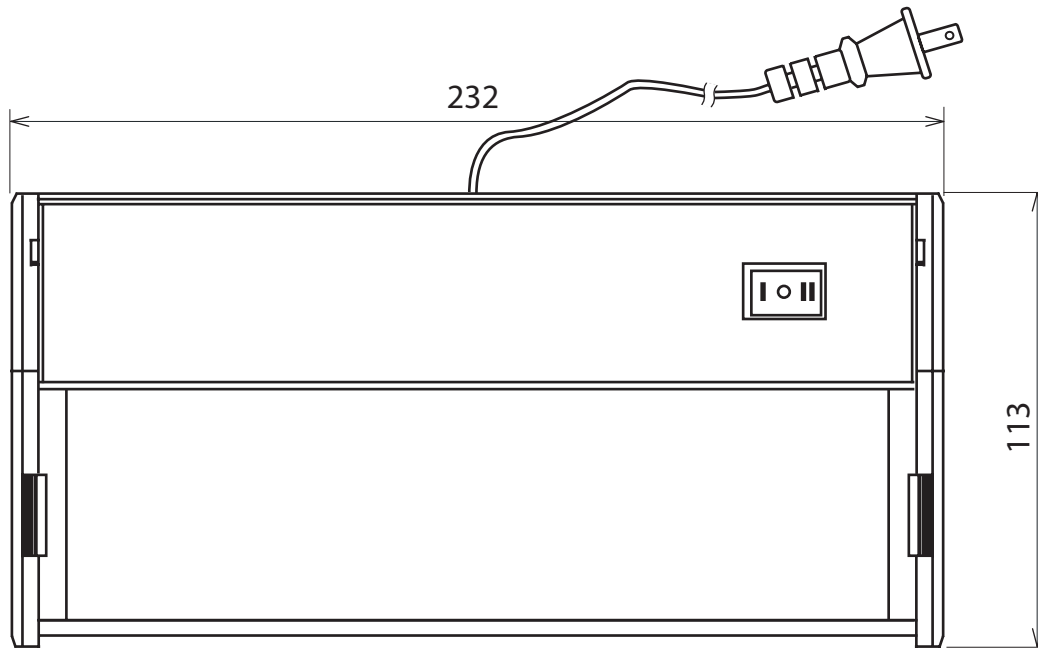


SPECIFICATIONS

- Voltage:** 120 V
- Lamp:** 12 V, 18 W, xenon
- Colour Temperature:** 2,750 °K
- Material:** Aluminum
- Rating:** Dry locations
- Lamp Life:** 10,000 hours
- Switch Type:** Integral hi-low switch
- Cord Length:** 5'
- Finish:** White



All dimensions are in mm

Revisions:

4		
3		
2		
1		



Project:

Part number: XTL-1-PC

Scale: NTS

Product: Xenon Task Light, 1 bulb, power cord, white

Type:

Date: