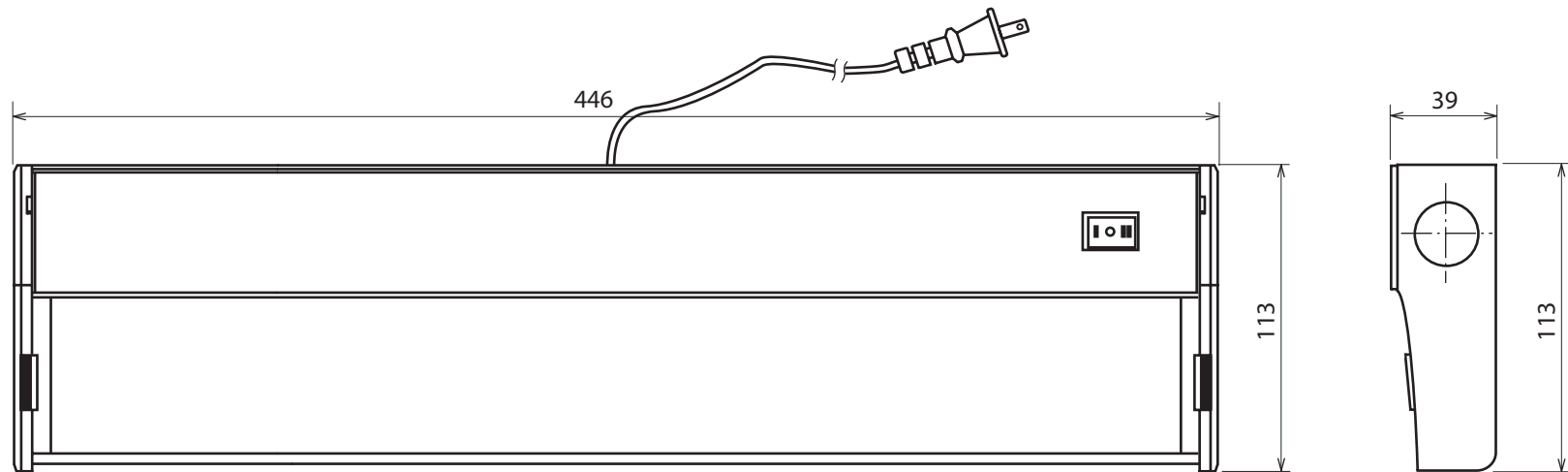


SPECIFICATIONS

Voltage: 120 V
Lamp: 12 V, 18 W, xenon
Colour Temperature: 2,750 °K
Material: Aluminum
Rating: Dry locations
Lamp Life: 10,000 hours
Switch Type: Integral hi-low switch
Cord Length: 5'
Finish: White



Revisions:

| | | |
|---|--|--|
| 4 | | |
| 3 | | |
| 2 | | |
| 1 | | |

All dimensions are in mm



| | | |
|---|-----------------------|------------|
| Project: | Part number: XTL-2-PC | Scale: NTS |
| Product: Xenon Task Light, 2 bulbs, power cord, white | Type: | Date: |