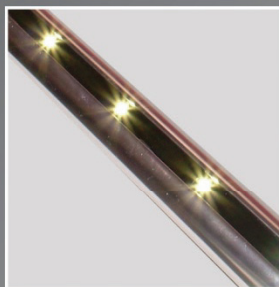


LED Lighting

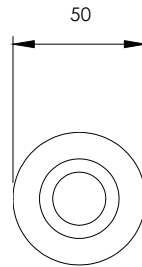
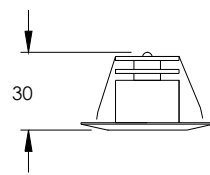


New Products 2009

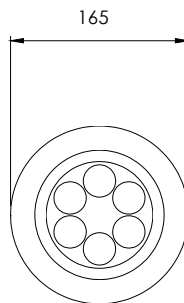
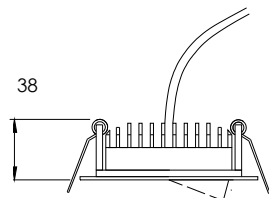
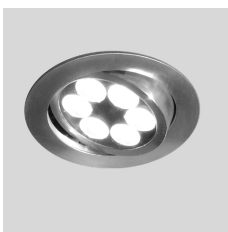
New LED products for 2009



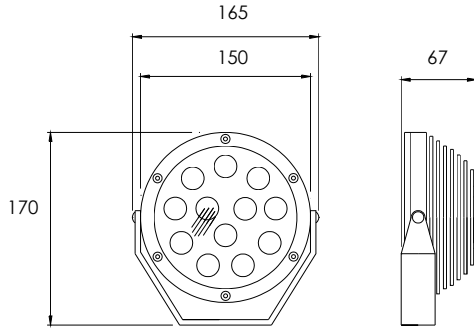
- A new LED downlight/paver with driver on board technology
- High output low energy downlight the complies with Part 'L' of the UK Building regulations > 45lm/W
- A low profile under shelf lighting system
- Additions to the exterior flood/spotlight range
- All products thermally tested
- Versions for up to 60°C ambient



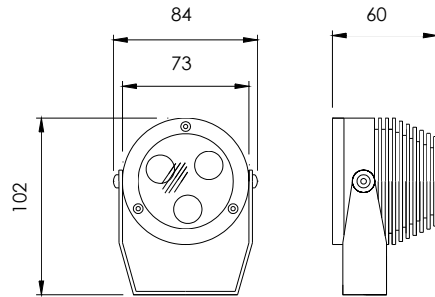
CLF2706
 LED Paver IP67 with on board driver and built in thermal feedback protection
 Material: Anodised Aluminium alloy
 Finish: Natural
 LED: Luxeon™ Rebel
 Power Supply: 12VDC constant voltage, see p3
 Cut Out Dia.: 30mm
 Temp: -10 to +40° C
 Options: 6,15, 25, 40° Frosted Lens



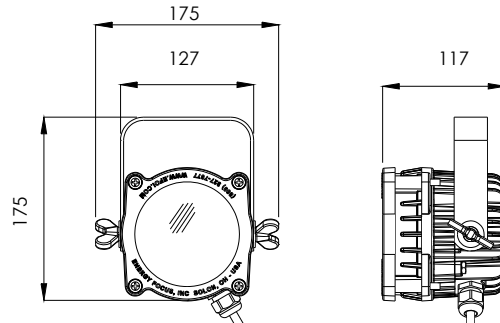
CLF7001
 LED Downlight Part L compliant at 350mA, 850 lm at 700mA
 Material: Anodised Aluminium alloy
 Finish: Natural
 LED: 6 x Luxeon™ Rebel
 Power Supply: 350 or 700mA constant current driver, see p3
 Cut Out Dia.: 95mm
 Adjustment : Tilt ± 25°
 Temp: -10 to +40° C
 Options: 350mA or 700mA operation.
 6,15, 25, 40° Lenses



CLF2745
 LED Spotlight IP67, RGB colour change with seamless colour mixing
 Material: Body Anodised Aluminium alloy
 Front Polycarbonate
 Finish: Natural
 LED: 12 x Seoul P5
 Power Supply: 350mA constant current driver required see p3
 Temp: -10 to +40° C
 Options: 15, 25, 40° Lenses

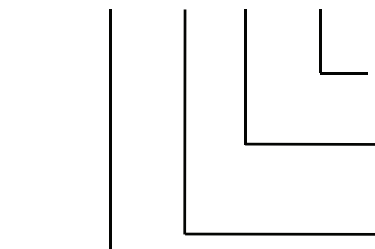


CLF2746
 LED Spotlight IP67, RGB colour change with seamless colour mixing
 Material: Body Anodised Aluminium alloy
 Front Polycarbonate
 Finish: Natural
 LED: 3 x Seoul P5
 Power Supply: 350mA constant current driver required see p3
 Temp: -10 to +40° C
 Options: 15, 25, 40° Lenses



CLF2747
 LED Spotlight IP65, single colour spotlight with on board driver
 Material: Body Anodised Aluminium alloy
 Front Polycarbonate
 Finish: Natural
 LED: 5 x CREE
 Power Supply: 100-240VAC
 Temp: -20 to +45° C
 Options: 15, 25, 40° Lenses

CLF **2745** **X** **XXX** **XX**

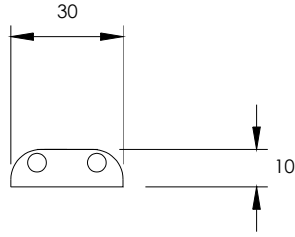


CC -colour change RGB **W**-white 5500K **NW** - neutral white 4100K
WW -warm white 3500K **BL**-blue **RE**-red **GR**-green **YE**-yellow

Lens: **L06**- 6° lens **L10**- 10° lens **L15**-15° lens **L25**-25° lens **L40** -40° lens
LOV-Oval

Body colour: **B**-black **N**-natural **X**-special

Catalogue number



CLU500 Under shelf lighting bar with on board driver and thermal feed back circuit.

Material: Anodised Aluminium alloy

Finish: Satin anodised

LED: 10 x Luxeon™ Rebel

Power Supply: 12VDC constant voltage see below

Temp: -10 to +40° C

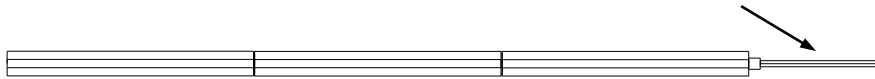
Module length: 520mm

Options: white, neutral white & warm white LEDs

Installation: two 2.5mm dia. fixing holes are provided in each end cap. A concealed fixing bracket is also available.

Linking the CLU under shelf system together

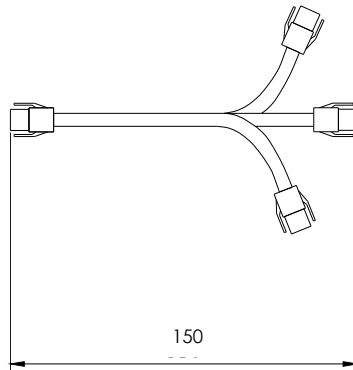
1. Join module to module directly. Power feed connector CLUfeed, 2 metres long



2. Join with linking cables CLUlink maximum length 250mm



A maximum of 6 modules can be joined together



CRE2838
Series connector, 2, 3, 4, 5 or 6 way

CRE2838/BL blanking plug for any sockets not used

All dimensions in mm's

Drivers and Powers supplies – a full list of alternative are shown on p59 of our main LED catalogue, however for most common projects we can recommend:

Constant current drivers: single colour CRE2777 (1 -8 LEDs); RGB colour change CRE2801 (3x12 LEDs)

Constant voltage 12VDC CRE2470 25W IP20); CRE2472 (25W IP67)

Crescent Lighting Limited, 8 Rivermead,
Pipers Lane, Thatcham, Berkshire, RG19 4EP
Telephone: +44 (0) 1635 878888
Facsimile: +44 (0) 1635 873888
email address: sales@crescent.co.uk

