

LED MiniDisc Light

Magic Lite Ltd. presents

LED MiniDisc Light

– a compact yet powerful LED light fixture suitable for hundreds of applications. Made of durable cast aluminum, this robust fixture is suitable for in-ground, ceiling or wall applications – both indoor and outdoor. LED MINIDISC LIGHT makes LED marker lighting affordable for any budget!

Why Choose LED MiniDisc Lighting?

- ✓ Long life – 60,000 hours white, blue and green, 100,000 hours amber and red
- ✓ Low power consumption of 0.54 watt per fixture
- ✓ Safe 12 volt, Class 2 power supply (not included)
- ✓ Up to 100 fixtures per power supply
- ✓ cUL listed for in-wall, in-floor, outdoor wet, and outdoor burial applications
- ✓ 2 year limited warranty
- ✓ Fits in any 1" diameter hole, 3 1/2" long

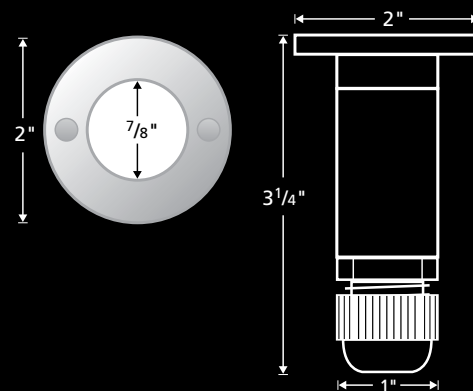
Applications

- Steps
- Aisles
- Paths
- Driveways
- Direction Lighting
- Information Lighting
- Decorative Lighting
- Merchandising
- Landscape Accents



MAGIC LITE LTD.®

2526 Speers Road, Units 4-9
 Oakville, Ontario, Canada L6L 5M2
 Tel: 905-825-9592 • Fax: 905-825-8334
www.magiclite.com



Four Finishes

Choose from Aluminum, Black, White or Bronze



05/06

LED MiniDisc Light

Ultra bright LEDs and high quality circuitry give the LED MiniDisc Light incomparable advantages over traditional light sources.

Available in five LED colours



White LED

LEDMD-WH-AL Aluminum finish
LEDMD-WH-BK Black finish
LEDMD-WH-BZ Bronze finish
LEDMD-WH-WH White finish



Green LED

LEDMD-GR-AL Aluminum finish
LEDMD-GR-BK Black finish
LEDMD-GR-BZ Bronze finish
LEDMD-GR-WH White finish



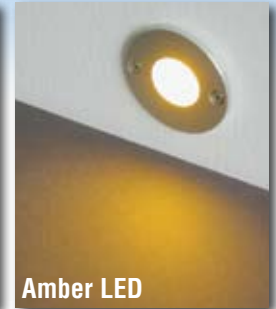
Blue LED

LEDMD-BL-AL Aluminum finish
LEDMD-BL-BK Black finish
LEDMD-BL-BZ Bronze finish
LEDMD-BL-WH White finish



Red LED

LEDMD-RD-AL Aluminum finish
LEDMD-RD-BK Black finish
LEDMD-RD-BZ Bronze finish
LEDMD-RD-WH White finish

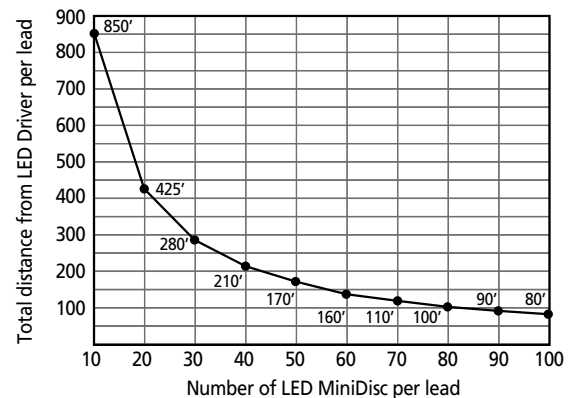


Amber LED

LEDMD-AM-AL Aluminum finish
LEDMD-AM-BK Black finish
LEDMD-AM-BZ Bronze finish
LEDMD-AM-WH White finish

100% LED Light Output Chart

With every foot of lead wire and every light fixture, there is voltage loss. With too much voltage loss all light fixtures will not develop 100% of their potential output. To the right is a chart of acceptable voltage loss which will maintain 100% of the potential light output of the LED MiniDisc Light. Simply plot the number of LED MiniDiscs you wish to place on one lead on the horizontal axis, with the total distance from the LED Driver to the last LED MiniDisc on the vertical axis. If the resulting plot is at or below the line shown, you will have acceptable voltage loss and your LED MiniDisc will output 100% of their potential. Please note that this is per lead, and you have the option of up to three leads from the LED Driver. In any of the three leads, if your plot is below the line shown, you have acceptable voltage loss. The only limitation is that you may place no more than 100 LED MiniDiscs on any one LED Driver (LEDDR-12-60W).



NOTE: No more than 100 LED MiniDisc Lights per LED Driver. Each LED Driver (LEDDR-12-60W) has the option of 3 leads.

Specifications

Voltage	12VDC
LED Module Specifications ...	12VDC, 45mA, 0.54 Watts
Average LED Life	60,000 Hours
LED Colours	White, Blue, Green, Amber, Red
Cover Finish	Aluminum, White, Bronze, Black
Barrel Finish	Aluminum
Packaging.....	Individually packaged in 2 colour corrugated box
Construction.....	Both cover and barrel are die cast aluminum for corrosion protection, strength, weight and consistency of finish.
Lens	Frosted Tempered Glass
Wiring Options	Each LED Driver can power up to 100 LED MiniDisc Lights by parallel wiring ("daisy chain") between fixtures. NOTE: Use LW-18G-CL2 for all in-wall applications. Use LW-18G-WL for all outside above ground applications. Use LW-18G-BUR for all burial applications.
Agency Approval	cUL listed and labeled for wet, IC, ceiling, wall and direct burial applications.



LEDDR-12-60W
60W maximum
Input: 100 - 240V AC
Output: 12V DC



LED MiniDisc
concrete form
for concrete pour
applications