

LED MiniDisc Light

A robust LED marker light ideal for public or residential applications, indoor or outdoor.



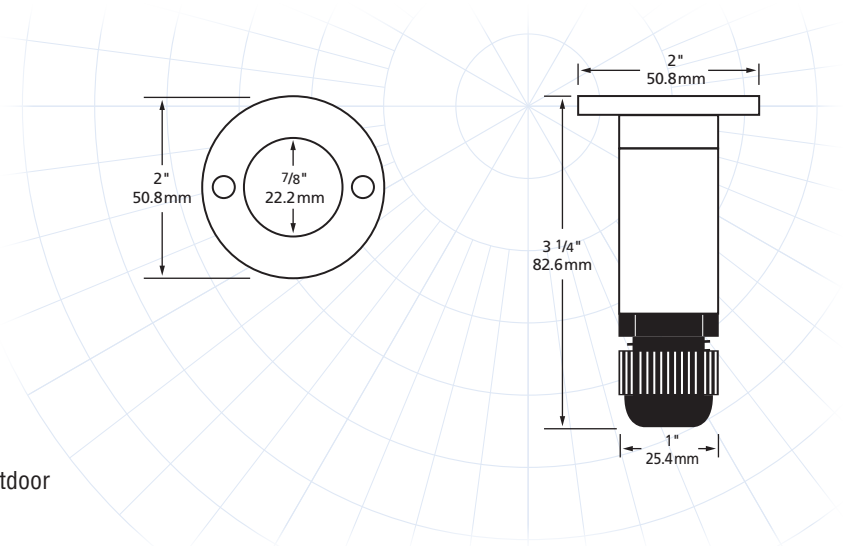
NOW DIMMABLE!



LED MiniDisc Light by Magic Lite is a compact yet powerful LED light fixture suitable for hundreds of applications. Made of durable cast aluminum, this robust fixture is suitable for in-ground, ceiling or wall applications – both indoor and outdoor. Our concrete form makes concrete pour applications simple and fast. LED MiniDisc Light makes LED marker lighting affordable for any budget!

Features

- ✓ Long life – 50,000 hours
- ✓ Low power consumption of 0.54 watt per fixture
- ✓ Safe 12 volt, Class 2 power supply (not included)
- ✓ Up to 100 fixtures per power supply
- ✓ cUL listed for in-wall, in-floor, outdoor wet, and outdoor burial applications
- ✓ 2 year limited warranty
- ✓ Fits in any 1" diameter hole, 3 1/2" long
- ✓ Now dimmable on the primary power supply side with our new Dimmable LED Drivers!



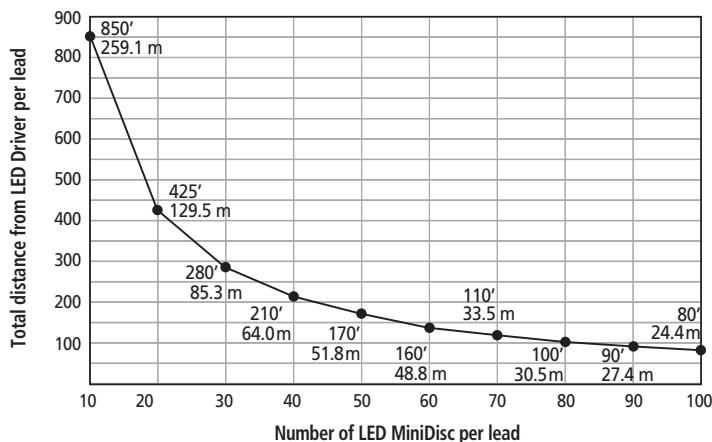
Applications

- Steps
- Aisles
- Paths
- Driveways
- Direction lighting
- Information lighting
- Decorative lighting
- Merchandising
- Landscape accents

LED MiniDisc Light

100% LED Light Output Chart

With every foot of lead wire and every light fixture, there is voltage loss. With too much voltage loss all light fixtures will not develop 100% of their potential output. To the right is a chart of acceptable voltage loss which will maintain 100% of the potential light output of the LED MiniDisc Light. Simply plot the number of LED MiniDiscs you wish to place on one lead on the horizontal axis, with the total distance from the LED Driver to the last LED MiniDisc on the vertical axis. If the resulting plot is at or below the line shown, you will have acceptable voltage loss and your LED MiniDisc will output 100% of their potential.

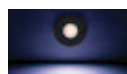


NOTE: No more than 100 LED MiniDisc Lights per LEDDR-12-60W or 32 per LEDDR-12-20W-HW.

Specifications

Voltage	12VDC
LED Module Specifications	12VDC, 45mA, 0.54 Watts
Average LED Life	50,000 hours
LED Colours	White 7000 K, Warm White 3800 K, Blue, Green, Amber, Red
Cover Finish	Aluminum, White, Bronze, Black, Stainless Steel
Barrel Finish	Aluminum, Stainless Steel
Packaging	Individually packaged in 2 colour corrugated box
Construction	Both cover and barrel are die cast aluminum for corrosion protection, strength, weight and consistency of finish.
Lens	Frosted Tempered Glass
Wiring Options	Each LED Driver can power up to 100 LED MiniDisc Lights by parallel wiring ("daisy chain") between fixtures. NOTE: Use LW-18G-CL2 for all in-wall applications. Use LW-18G-BUR for all burial applications.
Agency Approval	cUL listed and labeled for wet, IC, ceiling, wall and direct burial applications.

LED Colours



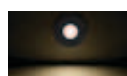
White
7000 K LED



Green LED



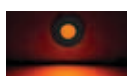
Red LED



Warm White
3800 K LED



Blue LED



Amber LED

NEW!

Dimmable Drivers

See page 35 for driver selection guide and details of use. See page 33 for list of compatible dimming systems.



MLDR-20-12-DM

Max. recommended load 18 W or 33 LED MiniDisc Lights
Min. recommended load 10 W or 19 LED MiniDisc Lights
5.03" x 2.14" x 2.00" (127.76 x 54.36 x 50.80mm)

MLDR-40-12-DM

Max. recommended load 36 W or 66 LED MiniDisc Lights
Min. recommended load 20 W or 38 LED MiniDisc Lights
5.03" x 2.14" x 2.00" (127.76 x 54.36 x 50.80mm)



MLDR-60-12-DM

Max. recommended load 54 W or 100 LED MiniDisc Lights
Min. recommended load 30 W or 56 LED MiniDisc Lights
6.06" x 2.59" x 2.20" (153.92 x 65.79 x 55.88mm)

Non Dimmable Drivers



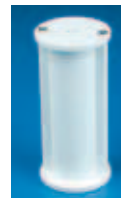
LEDDR-12-20W-HW

Indoor driver
Max. 32 MiniDisc Lights
20W hardware
Input: 100 - 240V AC
Output: 12V DC
4 1/8" x 4 1/8" x 1 1/2"
(104.8 x 104.8 x 38.1mm)



LEDDR-12-60W

Outdoor driver
Max. 100 MiniDisc Lights
60W hardware
Input: 100 - 240V AC
Output: 12V DC
9 11/16" x 2 9/16" x 2 1/16"
(246 x 65 x 52mm)



Accessories

LEDMD-CF

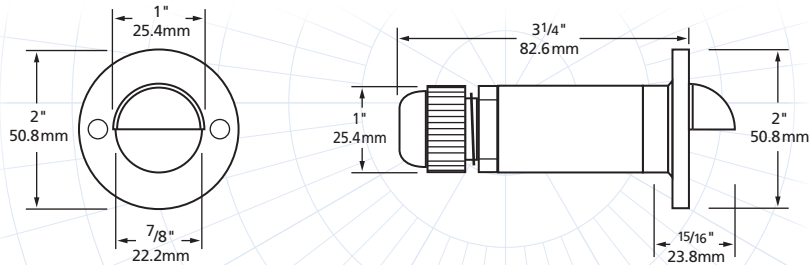
LED MiniDisc concrete form
for concrete pour applications

Product Codes

LEDMD - XX - YY		
LED MiniDisc Light	Colour of LED	Finish
	AM - Amber	AL - Aluminum
	BL - Blue	BK - Black
	GR - Green	BZ - Bronze
	RD - Red	WH - White
	WH - White 7000 K	
	WW - Warm White 3800 K	

LED MiniDisc Light (Scoop)

LED MiniDisc Scoop is designed to direct light where you want it.
Ideal for stair lighting when placed on risers to avoid glare.
Great for theatre aisle ways.



Product Codes

LEDMD - S - XX - YY

LED MiniDisc Light - Scoop

Colour of LED

Finish

AM - Amber

AL - Aluminum

BL - Blue

BK - Black

GR - Green

BR - Bronze

RD - Red

WH - White

WH - White 7000 K

WW - Warm White 3800 K

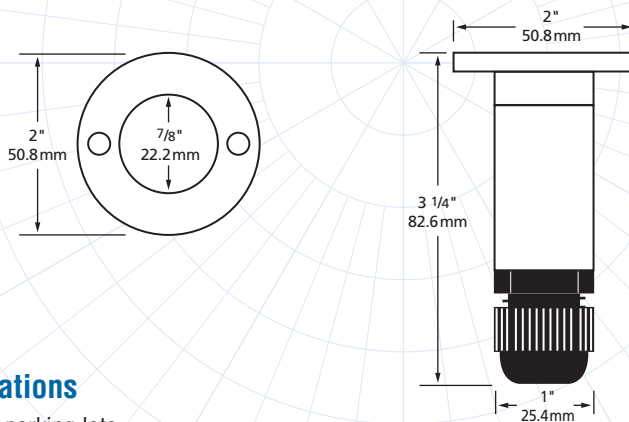


NOTE: Same electrical specifications, LED colours and dimensions as aluminum MiniDisc Lights.

LED MiniDisc Light (Stainless Steel)

LED MiniDisc Light is now available in solid Stainless Steel for high traffic applications and in high salt environments.

NEW!



Applications

- Public parking lots
- Heavy traffic areas
- Salt and other corrosive environments

NOTE: Same electrical specifications, LED colours and dimensions as aluminum MiniDisc Lights.
Stainless steel not available in scoop version.

Product Codes

LEDMD - XX - SS

LED MiniDisc Light

Colour of LED

Stainless Steel

AM - Amber

BL - Blue

GR - Green

RD - Red

WH - White 7000 K

WW - Warm White 3800 K

