

# LED Surface Star

An extremely versatile, compact LED fixture suitable for a large variety of applications.



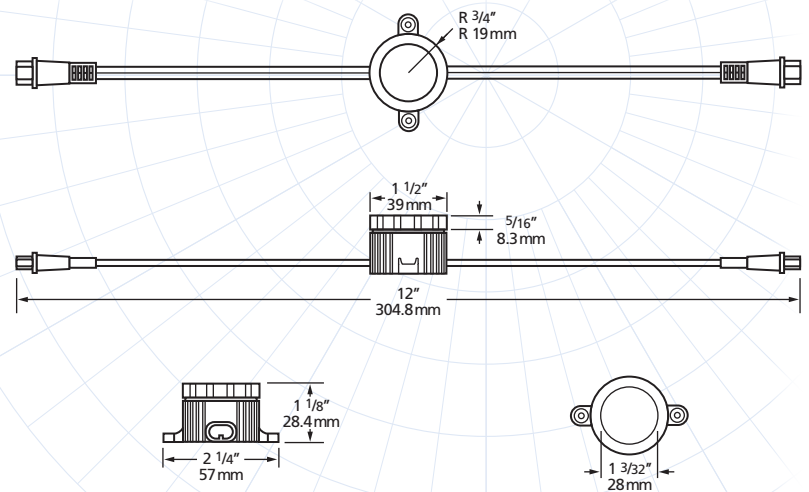
**NOW DIMMABLE!**



Made of cast aluminum, LED Surface Star is extremely robust and is completely sealed so it can be used indoors or outdoors. At just 1.2 watts, each fixture is stingy on power and strong on light emission – powerful enough as a light source for shelf or counter lighting or as a point source for building outlines. Each fixture comes with molded quick connectors for easy installation and our various lengths of joiner cables allow you to space the fixtures exactly where you want them.

## Features

- ✓ Long Life – 50,000 hours
- ✓ Low power consumption – 1.2 watts
- ✓ Safe, 12 volt, Class 2 power supply
- ✓ Fixture remains cool to touch
- ✓ Up to 45 fixtures from one 60 watt power supply
- ✓ cUL listed for indoor or outdoor use
- ✓ Compact size 39mm diameter x 28.4mm height
- ✓ Easy installation – each fixture comes with mounting tabs and quick plug type connectors
- ✓ 2 year limited warranty
- ✓ Now dimmable on the primary power supply side with our new Dimmable LED Drivers!



## Applications

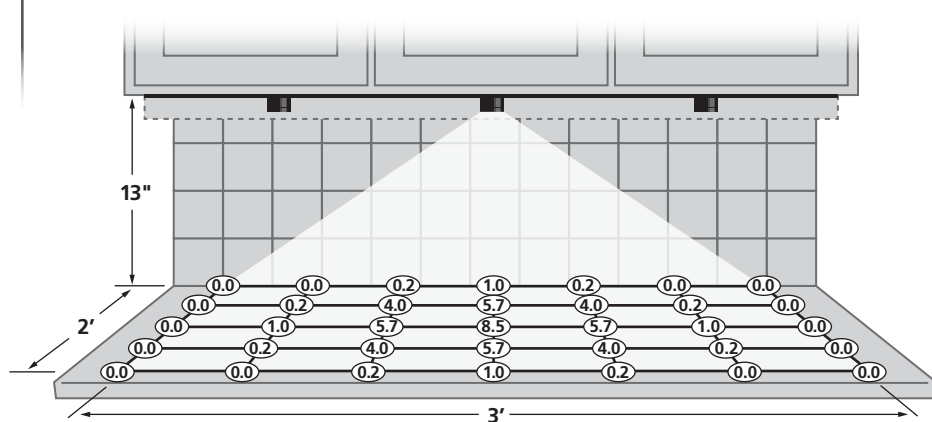
- Under cabinets
- Shelf lighting
- Cabinet and showcase lighting
- Displays and exhibits
- Work stations
- Aisle lighting
- Pathway lighting
- Deck and patio lighting
- Gazebos
- Soffits
- Architectural outline lighting
- Merchandising
- Decorative applications

# LED Surface Star

LED



## Photometrics Data



(X.X) Illuminance in footcandles

## Specifications

|                       |   |
|-----------------------|---|
| Voltage               | 12V DC  |
| Power consumption     | 1.2 Watts                                       |
| Max. # of Fixtures    | 45 per 60 watt driver                           |
| # of LEDs per unit    | 4 Chip On Board                                 |
| LED colours           | White (3800°K), Red, Blue, Green, Amber         |
| Average LED Life      | 50,000 hours                                    |
| Fixture colours       | Anodized Aluminum, White, Bronze, Black         |
| Wire colours          | White, Brown, Black                             |
| Lens                  | Reinforced glass                                |
| Cover size            | † 1 1/2" X 5/16" (†39mm X 8mm)                  |
| Product size over all | 2 1/4" x 1 1/8" x 12" (57mm X 28.4mm X 304.8mm) |

## Dimmable Drivers

See page 34 for driver selection guide and details of use. See page 33 for list of compatible dimming systems.



**MLDR-20-12-DM**

Max. recommended load 18 W or 15 LED Surface Stars  
Min. recommended load 10 W or 8 LED Surface Stars  
Dimensions: 5.03" x 2.14" x 2.00"  
(127.76 x 54.36 x 50.80mm)

## MLDR-40-12-DM

Max. recommended load 36 W or 30 LED Surface Stars  
Min. recommended load 20 W or 16 LED Surface Stars  
Dimensions: 5.03" x 2.14" x 2.00"  
(127.76 x 54.36 x 50.80mm)



**MLDR-60-12-DM**

Max. recommended load 54 W or 45 LED Surface Stars  
Min. recommended load 30 W or 25 LED Surface Stars  
Dimensions: 6.06" x 2.59" x 2.20" (153.92 x 65.79 x 55.88mm)

## Non Dimmable Driver



**LEDSS-12-60W**

9 11/16" x 2 9/16" x 2 1/16" (246mm x 65mm x 52mm)  
Powers up to 45 LED Surface Star fixtures

## Finishes



White



Black



Aluminum



Bronze

## Accessories



### Mounting Clips

HML-005-BK  
HML-005-WH



### End Caps

LEDSS-003-BK  
LEDSS-003-BN  
LEDSS-003-WH



### Extensions

## Extensions Product Codes

LL - XX - YY

### Length

01 - 1' (30.5 cm)  
03 - 3' (91.4 cm)  
06 - 6' (182.9 cm)  
12 - 12' (365.8 cm)

### Colour

BK - black  
BN - brown  
WH - white

## LED Colours



Green



Blue



White



Red



Amber

## Product Codes

LEDSS - XX - YY

LED Surface Star

Colour of LED

Finish

AM - Amber

AL - Aluminum

BL - Blue

BK - Black

GR - Green

BZ - Bronze

RD - Red

WH - White

WW - White 3800°K