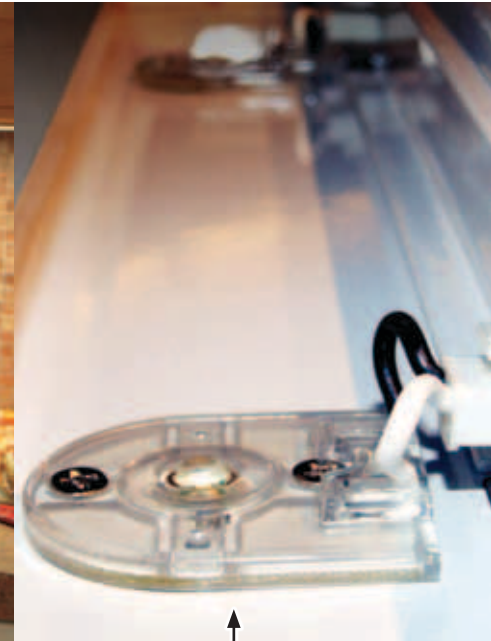


# LED Task Light

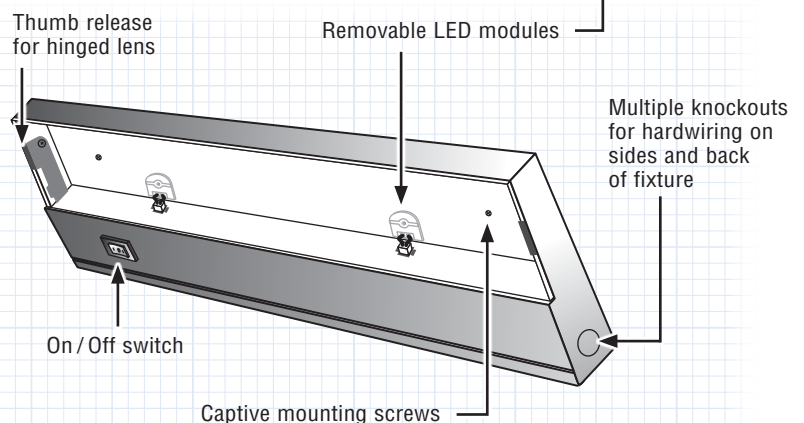
All of the conveniences and light output of traditional task lights with the advantages of LED technology.



LED Task Light (LTL) utilizes replaceable LED modules powered with CREE LEDs and is available in 1, 2, 3, 4 & 5 module versions. Overall power consumption is as low as 3.3 watts per module. What's more, there are no remote power supplies to deal with as LTL comes with its own integral LED drivers. Simply connect directly to 120 volt power.

## Features

- ✓ Low power consumption – as low as 3.3 watts per module
- ✓ Warm white colour temperature (2900K +/- 200)
- ✓ 50,000 hour useful lamp life (to 70% lumen output)
- ✓ No harmful UV rays
- ✓ Fast and easy installation – push in terminals for hard wire connection
- ✓ 120 volt through wiring
- ✓ Available in 1, 2, 3, 4 & 5 LED module units
- ✓ Hinged lens for easy access to LED modules
- ✓ Captive mounting screws in lamp compartment
- ✓ Available in 4 colours: White, Bronze, Black and Brushed Aluminum
- ✓ 6' cord and plug version also available (special order)
- ✓ 2 year limited warranty



Available in 1, 2, 3, 4 and 5 module units.

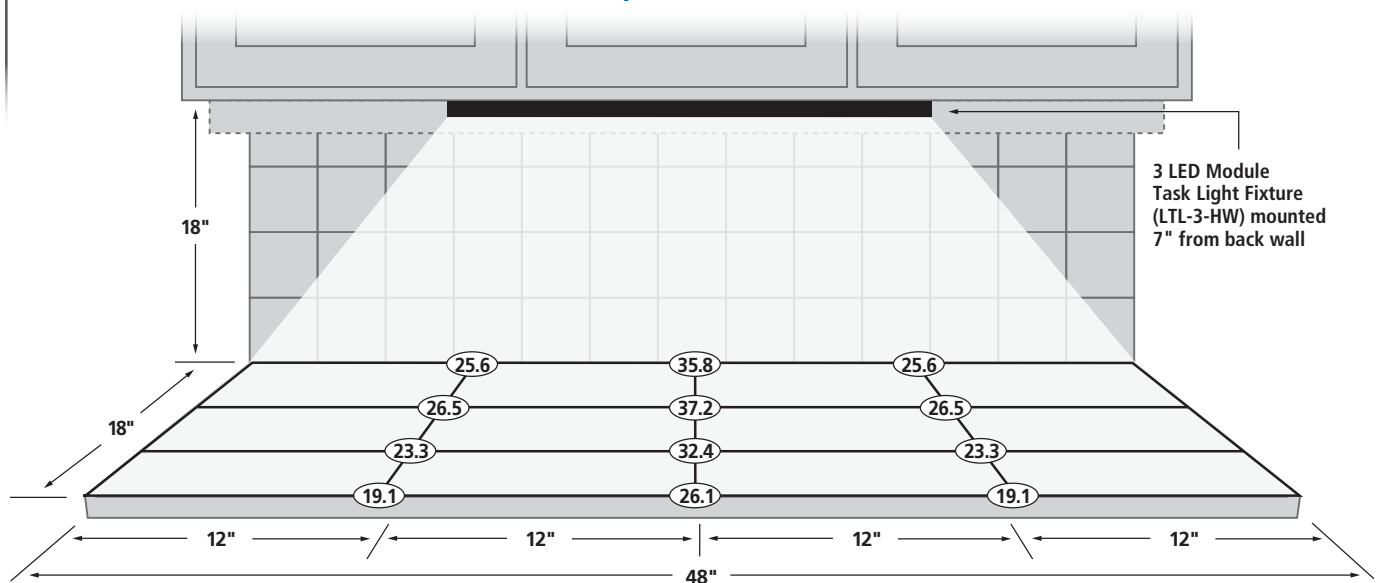
Save up to 80% in energy consumption with same light output as 18 watt xenon!

## Applications

- Under cabinet task light
- Over cabinet accent light
- Display cases and exhibits
- Merchandising
- Indirect accent light
- Wall units and bars
- Office work stations

# LED Task Light

## CounterTop Photometrics Data



(X.X) Illuminance in footcandles

### Specifications

Operating Voltage	120 Volt
Product View Angle	90°
Operating Temperature	-20°C – 50°C
Storage Temperature	10°C – 70°C
Weight	LTL-1 = 350g LTL-2 = 760g LTL-3 = 1100g LTL-4 = 1450g LTL-5 = 1680g
Product Material	PC & Aluminum
Product Finish	Black & White: Powder Coating Aluminum, Bronze: Anodized
Product Colour	Black, White, Aluminum, Bronze
Cover (Lens) Material	Top Cover: Frosted Glass, Side Cover: ABS
Cover (Lens) Finish	Side Cover (Black, White & Bronze): Plastic Injection Side Cover (Aluminum): Vacuum Plating

### LED Module Specifications

LEDMOD-12-CR	Replacement LED Module
LED Colour	Warm White
LED Life	50,000 hours 70% initial lumen output
No. of LED per Fixture	1 – 5
Illuminance	380 Lux (45cm Distance)
Luminous Flux	62 – 67 lumens
Colour Temperature	2900K +/- 200
LED Angle	90°
Operating Voltage	3.5 V DC
Operating Current	700 mA = 2.5 W



Available in white or black (powder coated finish) and a brushed aluminum or bronze finish (anodized).

### Product Code

Code	Description	Energy Usage*	Dimension (L x W x H)
LTL-1-HW/xx	LED Task Light, 1 LED Module	4.4W	9" x 4 5/8" x 1 1/2" (229mm x 113mm x 39mm)
LTL-2-HW/xx	LED Task Light, 2 LED Module	7.2W	17 1/2" x 4 5/8" x 1 1/2" (445mm x 113mm x 39mm)
LTL-3-HW/xx	LED Task Light, 3 LED Module	9.8W	26" x 4 5/8" x 1 1/2" (659mm x 113mm x 39mm)
LTL-4-HW/xx	LED Task Light, 4 LED Module	15.0W	34 1/2" x 4 5/8" x 1 1/2" (875mm x 113mm x 39mm)
LTL-5-HW/xx	LED Task Light, 5 LED Module	17.0W	38 1/2" x 4 5/8" x 1 1/2" (967mm x 113mm x 39mm)

Wiring options: Replace HW (hardwire) with PC for plug and cord version  
xx = finish colour: AL - Aluminum, BK - Black, BZ - Bronze, WH - White

\* Actual fixture energy use is higher than 2.5 watts per module due to power factor of LED drivers.  
Maximum number of LED modules on one 15 Amp circuit is 133 using any combination of LTL fixtures.