

Xenon Brick Light

Xenon Brick Light provides a safe, attractive and affordable way to light stairs, aisles, paths and entrance ways.



Xenon Brick Light (XBL) comes with an 18 watt xenon lamp and has been uniquely designed to fit a standard brick void. This provides the perfect solution for those applications where a more linear fixture is required.

Both the cover and the can of the Xenon Brick Light are constructed of die cast aluminum for corrosion protection and strength. The XBL is suitable for both interior and exterior applications and comes with integral 12 volt transformer and housing for easy installation. Our concrete cap accessory makes concrete pour installations fast and easy.

Features

- ✓ Safety - burns significantly cooler than halogen
- ✓ Low pressure lamps are safer than halogen
- ✓ No problem to touch bulb when re-lamping
- ✓ Easy to re-lamp
- ✓ Long Life – 10,000 hours
- ✓ No harmful UV rays from lamp
- ✓ Fast and easy installation
- ✓ cUL listed for wet locations
- ✓ Die cast aluminum construction suitable for concrete pour*
- ✓ 120 volt push in connectors for ease of power input
- ✓ Bulb replacement has low voltage safety (12 volt class 2 transformer in each fixture)
- ✓ Dimmable
- ✓ 1 year limited warranty

Xenon Bulb

- Burns significantly cooler than halogen
- Brighter than fluorescent
- Four times the lamp life, at half the replacement cost of 120 V halogen
- No harmful UV rays
- Safe low pressure bulbs

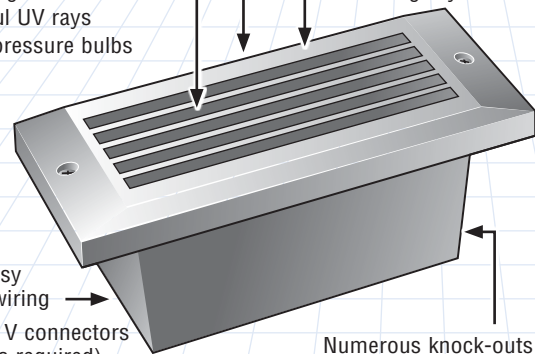
Diecast aluminum cover and can

- Corrosion resistant
 - Suitable for concrete pour
- Wide mounting flange works well on all surfaces, including drywall

Room for easy 120 V thru-wiring

Push-in 120 V connectors (no wire nuts required)

Numerous knock-outs for standard "Romex" input

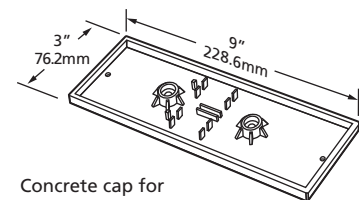
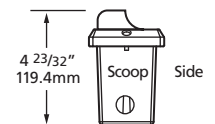
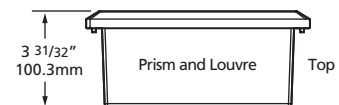
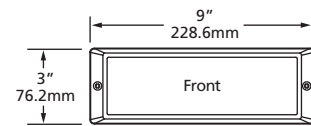
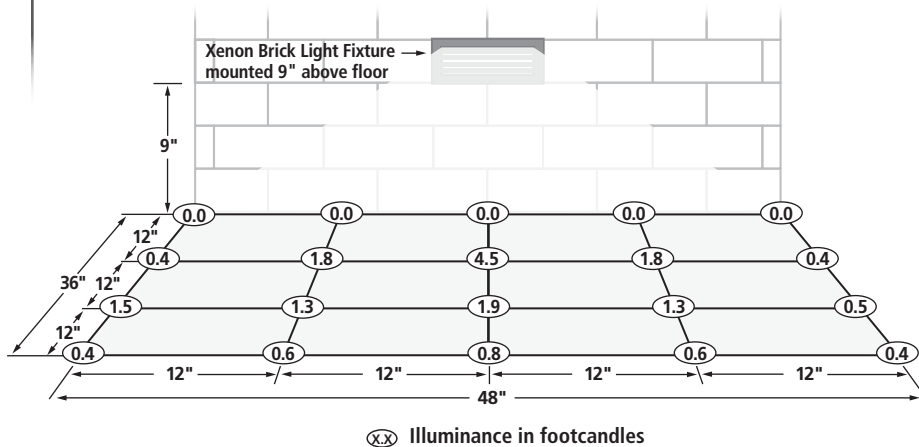


Applications

- Interior stairs
 - Exterior stairs
 - Aisles
 - Hallways
 - Paths
 - Emergency lighting
 - Theaters
 - Public areas
 - Patios
 - Decks
- Anywhere that requires security or safety lighting in an aesthetically pleasing manner!

Xenon Brick Light

Floor Photometrics Data



Concrete cap for concrete pour installations
Product Code: BL-CC

IMPORTANT: It is recommended that you use Magic Lite's Concrete Cap for concrete pour installations. These caps assist in providing a proper reveal for flush mount of fixture cover after concrete is dry.

Specifications

Input Voltage	120V AC
Power Consumption	18 Watts
Average Lamp Life	10,000 hours
Colour Temperature	2750K
Cover Finish	Powder Coated White, Bronze, Brushed Aluminum, Black
Can Finish	Powder Coated White
Construction	Cover and can cast aluminum
Lens	Frosted Tempered Glass
Wiring Options	120V AC hardwire – can be daisy chained up to 66 fixtures per 15A circuit
Agency Approval	cUL listed for wet and IC locations
Replacement Lamp	12 V, 18 W, product code XTL-BULB

Dimensions (L x W x H)

Cover Type	Cover	Can
Scoop	9" x 3" x 1 1/2" (228.6mm x 76.2mm x 38.1mm)	7 11/16" x 2 13/32" x 3 7/32" (195.6mm x 61.0mm x 81.3mm)
Prism	9" x 3" x 3/4" (228.6mm x 76.2mm x 19.1mm)	7 11/16" x 2 13/32" x 3 7/32" (195.6mm x 61.0mm x 81.3mm)
Louvre	9" x 3" x 3/4" (228.6mm x 76.2mm x 19.1mm)	7 11/16" x 2 13/32" x 3 7/32" (195.6mm x 61.0mm x 81.3mm)

Cover Types and Finish



Product Codes

